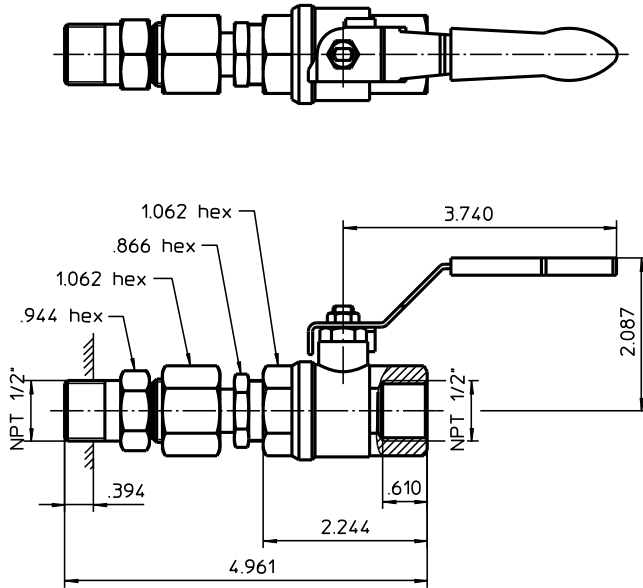


EVACUATION- and BLEEDER-CONNECTIONS

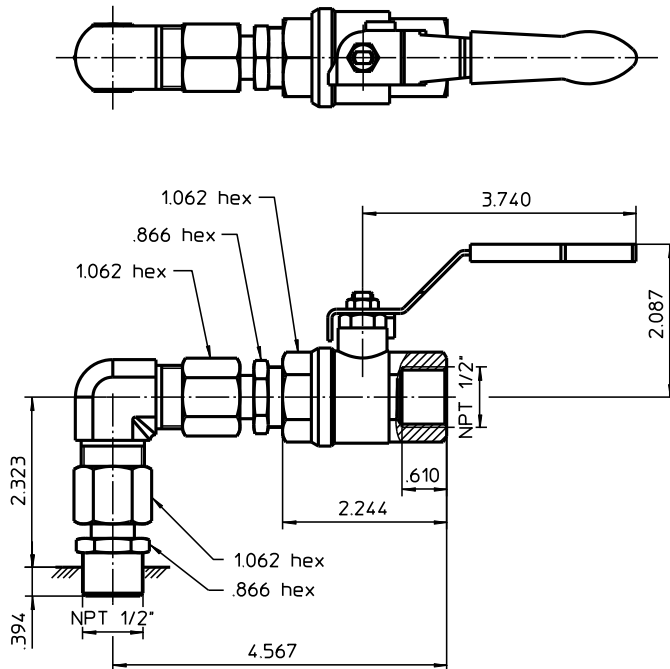
Series EE 914 PSI for DA/EDA filter

Sheet No.
1659 A

straight design



angle-design



1. Type index: (ordering example)

EE. 63. NPT. 3. W. VA

1	2	3	4	5	6
---	---	---	---	---	---

1 | **series:**

EE = evacuation- and bleeder-connection

2 | **pressure range:**

63 = 914 PSI

3 | **connection:**

NPT = thread acc. to ANSI B1.20.1

4 | **connection size:**

3 = 1/2"

5 | **design:**

G = straight design

W = angle design

6 | **material:**

VA = stainless steel

2. Technical data:

temperature range: +14°F to +80°F
(for a short time + 212°F)
max. operating pressure: 914 PSI
installation position: any
fluid: mineral oils, lubricating oils,
synthetic hydraulic fluids,
emulsions

3. Description:

When maintaining and servicing filters the drain-plugs and air-bleed connections are used to drain and to bleed the fluid inside the filter. This applies to filters with a operating pressure of PN ≤ 914 PSI. During operation of the filter, the connection has to remain closed.