



### 3. Spare parts:

item	qty.	designation	dimension	article-no.	
1	2	filter element	01.E 950		
2	2	filter bowl without discharge pipe		327460	
	2	filter bowl with discharge pipe		327461	
3	2	O-ring	195 x 3,5	301831(NBR)	306528 (FPM)
4	2	O-ring	170 x 6	304799 (NBR)	306529 (FPM)
5	2	O-ring	190 x 5	305432 (NBR)	310283 (FPM)
6	2	O-ring	78 x 10	305017 (NBR)	305552 (FPM)
7	2	O-ring	85,32 x 3,53	305590 (NBR)	306308 (FPM)
8	2	screw plug	¼ BSPP	305003	
90	1	O-ring	18 x 3	304359 (NBR)	304399 (FPM)
10	1	O-ring	105 x 5	310003 (NBR)	323080 (FPM)
11	1	pressure switch, electrical	E1, E2 or E5	see sheet-no. 1616	
12	1	clogging indicator, visual	O	see sheet-no. 1616	

### 4. Description:

Return-line filters change-over in the DTEF series are suitable for a working pressure up to 145 PSI. Pressure peaks will be absorbed by a sufficient margin of safety. The DTEF-filters are directly mounted to the reservoir and connected to the return-line.

A rotary slide valve which is integrated in the middle of the housing makes it possible to switch from the dirty filter-side to the clean filter-side without interrupting operation.

The filter element consists of a star-shaped, pleated filter material which is supported on the inside by a perforated core tube and is bonded to the end caps with a high-quality adhesive. The flow is from outside to inside. Filters finer than 40 µm should use throw-away elements made of paper or Interpor fleece (glass fiber). Filter elements as fine as 5 µm<sub>0.1</sub> are available; finer filter elements on request.

INTERNORMEN-Filters can be used for petroleum-based fluids, HW emulsions, water glycols, most synthetic fluids and lubrication fluids. Consult factory for specific fluid applications.

INTERNORMEN-Filters elements are known as stable elements which have excellent filtration capabilities and a high dirt retaining capacity, therefore having a long service life. Due to its practical design, the return-line filter is easy to service.

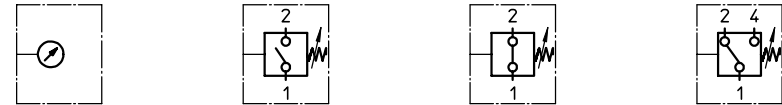
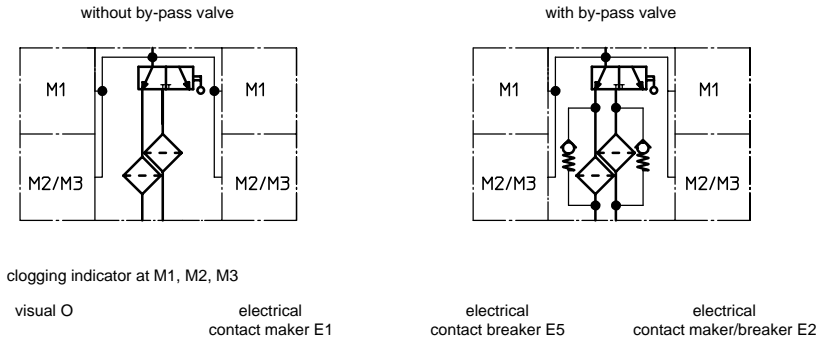
When changing the filter element a detachable connection between the filter head and the filter bowl prevents a flow back of dirty oil into the tank.

### 5. Technical data:

temperature range:	+ 14°F to + 176°F (for a short time + 212°F)
operating medium:	mineral oil, other media on request
max. operating pressure:	145 PSI
opening pressure by-pass valve:	29 PSI
connection system:	SAE-flange connection J518c 3000 PSI
housing material:	AL; glass fiber reinforced polyamide
sealing material:	Nitrile (NBR) or Viton (FPM), other materials on request
installation position:	vertical
volume tank:	2x 2.6 Gal.

Classified under the Pressure Equipment Directive 97/23/EC for mineral oil (fluid group 2), Article 3, Para. 3.  
Classified under ATEX Directive 94/9/EC according to specific application (see questionnaire sheet-no. 34279-4).

### 6. Symbols:



**7. Pressure drop flow curves:** Precise flow rates see 'INT-Expert-System Filter', respectively Δp- curves; depending on filter fineness and viscosity.

### 8. Test methods:

Filter elements are tested according to the following ISO standards:

ISO 2941	Verification of collapse/burst resistance
ISO 2942	Verification of fabrication integrity
ISO 2943	Verification of material compatibility with fluids
ISO 3723	Method for end load test
ISO 3724	Verification of flow fatigue characteristics
ISO 3968	Evaluation of pressure drop versus flow characteristics
ISO 16889	Multi-pass method for evaluating filtration performance