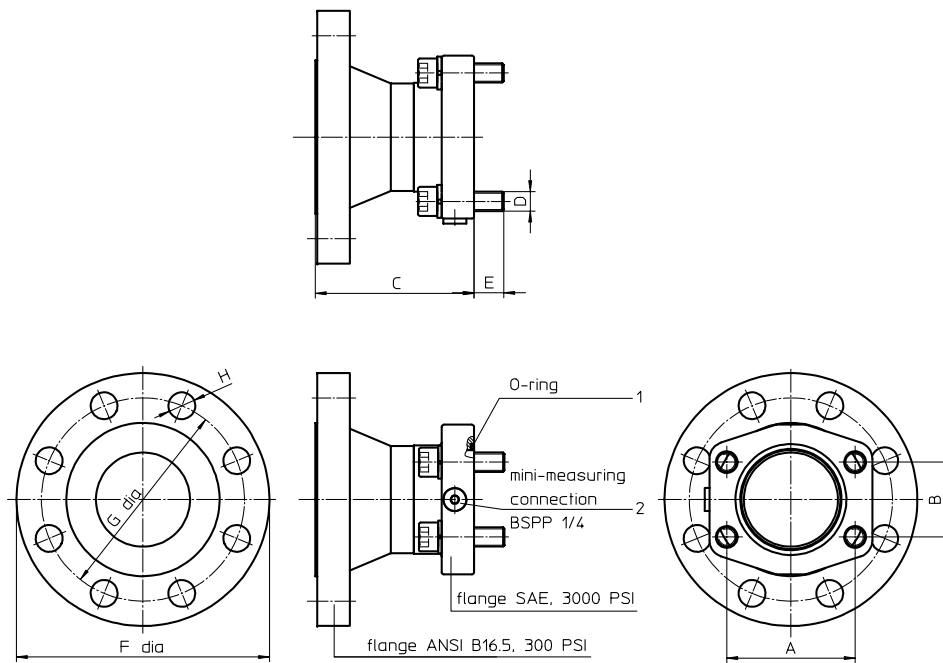


ADAPTOR, SAE-ANSI Series ASA

Sheet No.
1658



1. Type index: (ordering example)

ASA. FS. A. FA. A. P. ST

1	2	3	4	5	6	7
---	---	---	---	---	---	---

- 1 | series:
ASA = adaptor SAE-ANSI
- 2 | connection 1:
FS = flange SAE-J518c, 3000 PSI
- 3 | connection size 1:
8 = 2"
9 = 2 1/2"
A = 3"
B = 4"
C = 5"
- 4 | connection 2:
FA = ANSI-flange 300 PSI
- 5 | connection size 2:
8 = 2"
9 = 2 1/2"
A = 3"
B = 4"
C = 5"
- 6 | sealing material:
P = Nitrile (NBR)
V = Viton (FPM)
- 7 | flange material:
ST = steel
VA = stainless steel

2. Spare parts:

item	qty.	designation	dimension	article-no.	
1	1	O-ring	56,75 x 3,53	306035 (NBR)	310264 (FPM)
	1	O-ring	69,45 x 3,53	305868 (NBR)	307357 (FPM)
	1	O-ring	85,32 x 3,53	305590 (NBR)	306308 (FPM)
	1	O-ring	110,72 x 3,53	316355 (NBR)	316356 (FPM)
	1	O-ring	136,12 x 3,53	320162 (NBR)	320163 (FPM)
2	1	screw plug	BSPP 1/4	305003	

Dimensions: inch

connection	A	B	C	D	E	F	G	H	O-ring according to AS 568/BS 1806
2"	3.06	1.68	4.60	M12	.71	6.50	5.00	.75	-228 (56,75 x 3,53)
2 1/2"	3.50	2.00	5.04	M12	.71	7.50	5.88	.87	-232 (69,45 x 3,53)
3"	4.18	2.44	5.17	M16	.98	8.25	6.62	.87	-237 (85,32 x 3,53)
4"	5.11	3.06	5.42	M16	.98	10.00	7.88	.87	-245 (110,72 x 3,53)
5"	6.00	3.62	5.92	M16	.98	11.00	9.25	.87	-253 (136,12 x 3,53)

Changes of measures and design are subject to alteration!

