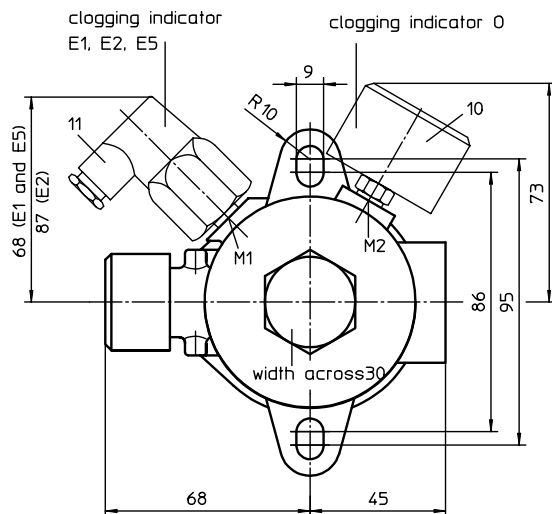
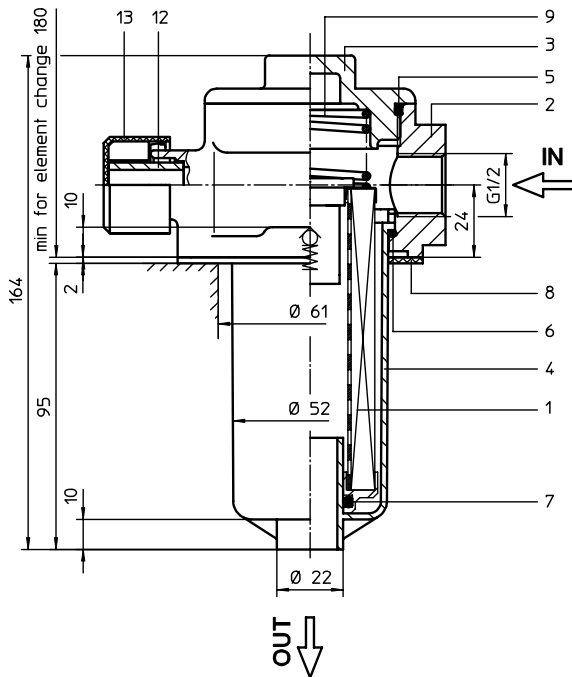


RETURN LINE FILTER with breather filter

Series TEFB 41 DN 16 PN 10

Sheet No.
1041 E



When equipped with one clogging indicator use preferably connection M2.

1. Type index:

1.1. Complete filter: (ordering example)

TEFB.41.10VG.16.S.P. - .G.3. - .E1.O (filter with by-pass valve)

1	2	3	4	5	6	7	8	9	10	11	12
---	---	---	---	---	---	---	---	---	----	----	----

TEFB.41.10VG.30.E.P. - .G.3. - .E1.O (filter without by-pass valve)

1	2	3	4	5	6	7	8	9	10	11	12
---	---	---	---	---	---	---	---	---	----	----	----

1 series:

TEFB = tank-mounted return-line-filter with breather filter

2 nominal size: 41

3 filter-material and filter-finness:

80 G = 80 μm , 40 G = 40 μm , 25 G = 25 μm
stainless steel wire mesh
25 VG = 20 $\mu\text{m}_{(c)}$, 16 VG = 15 $\mu\text{m}_{(c)}$, 10 VG = 10 $\mu\text{m}_{(c)}$, 6 VG = 7 $\mu\text{m}_{(c)}$,
3 VG = 5 $\mu\text{m}_{(c)}$ Interpor fleece (glass fibre)
25 P = 25 μm , 10 P = 10 μm paper only with 01E.41

4 resistance of pressure difference for filter element:

16 = 01E.41 for Δp 16 bar (standard with by-pass valve)
30 = 01E.60 for Δp 30 bar (standard without by-pass valve)

5 filter element design:

E = without by-pass valve (01E.60)
S = with by-pass valve (01E.41) Δp 2,0 bar

6 sealing material:

P = Nitrile (NBR)
V = Viton (FPM)

7 filter element specification: (see catalog)

- = standard
VA = stainless steel
IS06 = see sheet-no. 31601

8 connection:

G = thread connection according to DIN 3852, T2

9 connection size:

3 = G $\frac{1}{2}$

10 filter housing specification: (see catalog)

- = standard
IS06 = see sheet-no. 31605

11 clogging indicator at M1:

- = without
O = visual, see sheet-no. 1616
E1 = pressure switch, see sheet-no. 1616
E2 = pressure switch, see sheet-no. 1616
E5 = pressure switch, see sheet-no. 1616

12 clogging indicator at M2:

possible indicators see position 11 of the type index

1.2. Filter element: (ordering example)

01E. 41. 10VG. 16. S. P. -

1	2	3	4	5	6	7
---	---	---	---	---	---	---

 (with by-pass valve)

01E. 60. 10VG. 30. E. P. -

1	2	3	4	5	6	7
---	---	---	---	---	---	---

 (without by-pass valve)

1 series:

01E. = filter element according to INTERNORMEN factory specification

2 nominal size: 41, 60

3 - 7 see type index-complete filter

weight: 0,9 kg

2. Spare parts:

item	qty.	designation	dimension	article-no.	
1	1	filter element with by-pass	01.E 41		
	1	filter element without by-pass	01.E 60		
2	1	filter head	TEFB 41 - 55	305314	
3	1	filter cover	M 60 x 2	303621	
4	1	filter bowl	TEF 41	306673	
5	1	O-ring	56 x 3	305072 (NBR)	305322 (FPM)
6	1	O-ring	50 x 2,5	305239 (NBR)	305321 (FPM)
7	1	O-ring	22 x 3,5	304341 (NBR)	304392 (FPM)
8	1	gasket	2 thick	303039	
9	1	spring	DA = 40	304982	
10	1	clogging indicator visual	O	301721	
11	1	clogging indicator electrical	E1, E2 or E5	see sheet-no. 1616	
12	1	filter element breather	01BFE.70	301865	
13	1	protection cap		305312	

3. Description:

Return-line filters in the TEFB series are suitable for a working pressure up to 10 bar.

Pressure peaks will be absorbed by a sufficient margin of safety. The TEFB-filters are directly mounted to the reservoir and connected to the return-line. No connection is needed for the build-in air filter. The air filter has a 10 µm throw-away element.

The filter element consists of a star-shaped, pleated filter material which is supported on the inside by a perforated core tube and is bonded to the end caps with a high-quality adhesive. The flow is from outside to inside. Filters finer than 40 µm should use throw-away elements made of paper or Interpor fleece (glass fibre). Filter elements as fine as 5 µm_(G) are available; finer filter elements on request.

INTERNORMEN-Filters can be used for petroleum-based fluids, HW emulsions, water glycols, most synthetic fluids and lubrication fluids. Consult factory for specific fluid applications.

INTERNORMEN-Filters elements are known as stable elements which have excellent filtration capabilities and a high dirt retaining capacity, therefore having a long service life. Due to its practical design, the return-line filter is easy to service.

When changing the filter element a detachable connection between the filter head and the filter bowl prevents a flow back of dirty oil into the tank.

4. Technical data:

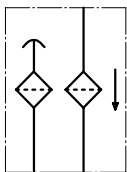
temperature range:	-10°C to +80°C (for a short time +100°C)
operating medium:	mineral oil, other media on request
max. operating pressure:	10 bar
opening pressure by-pass valve:	2,0 bar
connection system:	thread connection according to DIN 3852, T2
housing material:	Al cast; glass fiber reinforced polyamide
sealing material:	Nitrile (NBR) or Viton (FPM), other materials on request
installation position:	vertical
volume tank:	0,2 l

Classified under the Pressure Equipment Directive 97/23/EC for mineral oil (fluid group 2), Article 3, Para. 3.

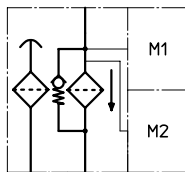
Classified under ATEX Directive 94/9/EC according to specific application (see questionnaire sheet-no. 34279-4).

5. Symbols:

without indicator



with by-pass valve



visual O



electrical contact maker
E1



electrical contact breaker
E5



electrical contact maker/breaker
E2



6. Pressure drop flow curves:

Precise flow rates see 'INT-Expert-System Filter', respectively Δp -curves; depending on filter fineness and viscosity.

7. Test methods:

Filter elements are tested according to the following ISO standards:

ISO 2941	Verification of collapse/burst resistance
ISO 2942	Verification of fabrication integrity
ISO 2943	Verification of material compatibility with fluids
ISO 3723	Method for end load test
ISO 3724	Verification of flow fatigue characteristics
ISO 3968	Evaluation of pressure drop versus flow characteristics
ISO 16889	Multi-pass method for evaluating filtration performance