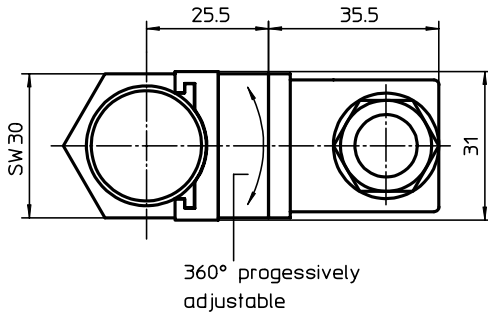
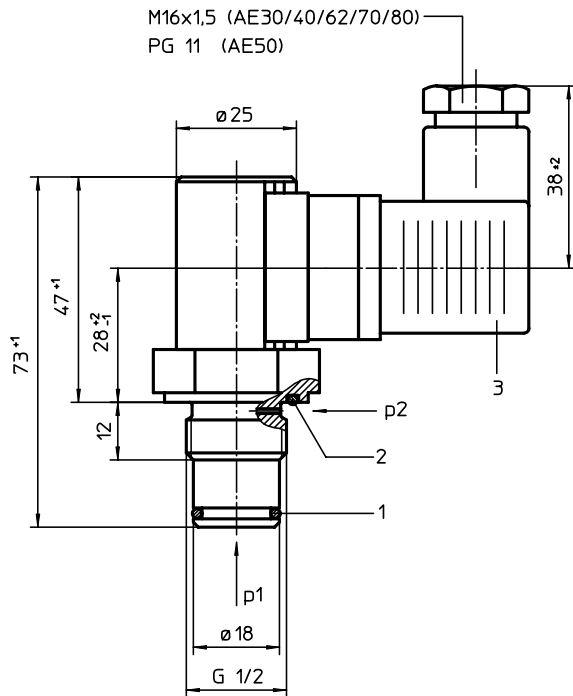


CLOGGING INDICATOR

Series AE (electrical / visual-electrical, thread execution)

Sheet No.
1615 J



1. Clogging indicator AE

1.1. Type index: (ordering example)

AE. 30. 1,5. P. - . - . -

1	2	3	4	5	6	7
---	---	---	---	---	---	---

- 1 **series:**
AE = clogging indicator, electrical / visual-electrical
- 2 **version:**
30-80 = see table below
- 3 **indicator-pressure difference: Δp -nominal**
1,5 = 1,5 bar
2,5 = 2,5 bar
5,0 = 5,0 bar
- 4 **sealing material:**
P = Nitrile (NBR)
V = Viton (FPM)
- 5 **material:**
- = standard
VA = stainless steel
- 6 **execution:**
- = standard
- 7 **damper:**
- = standard with hydraulic damper
1 = without hydraulic damper

2. Technical data:

temperature ranges	-10°C to +80°C (for a short time +100°C)
- operating temperature:	-30°C to +100°C
- resistant to compression:	-40°C to +100°C
- survival temperature:	max. operating pressure: 420 bar
max. operating pressure:	max. pressure difference: 160 bar

Clogging indicator AE with redundant switches, see data sheet-no. 40968-4

version	luminous indication	contact	voltage	max. rupturing capacity (resistive load)	max. switching current (resistive load)	connection protection
30	-	contact maker and contact breaker 175V DC	3 VA	0,25 A	line adapter according to DIN 43650-designA/ISO4400 IP 65 according to DIN EN 60529
40	-	 125V AC	3 Watt	0,25 A	
50	1x LED ¹⁾	 175V DC	20 VA	1,0 A	
		 230V AC	10 Watt	0,5 A	
62	1x LED		120V AC/DC	3 Watt/VA	0,025 A with 120V AC/DC	
70	2x LED		110...230V AC/DC	20 Watt/VA	0,180 A with 110V AC/DC 0,090 A with 230V AC/DC	
80	2x LED	24V DC	3 VA	0,080 A with 24V DC		
			24V DC	20 VA	0,750 A with 24V DC	

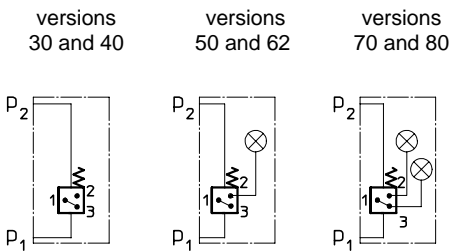
¹⁾ LED = light emitting diode

3. Spare parts:

item	qty.	designation	dimension	article-no.	type
1	1	O-ring	14 x 2	304342 (NBR)	versions 30 - 80
				304722 (FPM)	
2	1	O-ring	22 x 2	304708 (NBR)	
				304721 (FPM)	
3	1	line adapter	DIN 43650-designA/ISO4400	312492	versions 30 and 40
	1	line adapter with LED 24V		315012	versions 70 and 80
	1	line adapter with LED 120V		315010	version 50
	1	line adapter with LED 110...230V		332235	version 62

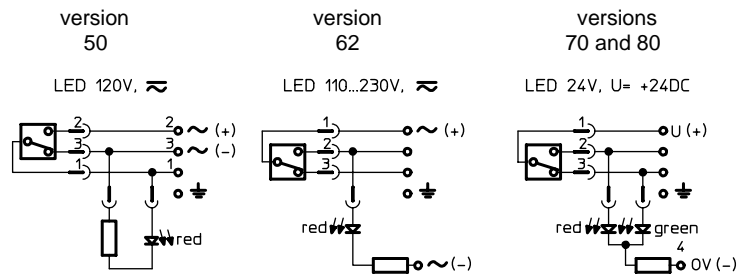
4. Symbols:

hydraulic-electrical symbol



p₁ = measure connection supply
p₂ = measure connection output

connection configuration for LED



5. Description:

The AE 30 and AE 40 pollution indicators are electrical differential pressure indicators.

The AE 50 to AE 80 pollution indicators are combined optical and electrical differential pressure indicators. These differential pressure indicators can be fitted to all pressure filters $p \leq 420$ bar for which there is a corresponding assignment on the relevant dimension drawing. As the degree of pollution of the filter element rises, so the difference between the entry pressure p_1 and the exit pressure p_2 of the filter increases. Depending on this pressure difference and irrespective of the operating pressure, in the pollution indicators

- AE 30 and AE 40, two electrical signals (contact maker/contact breaker) are triggered
- AE 50 and AE 62, two electrical signals (contact maker/contact breaker) are triggered and one optical signal is formed
- AE 70 and AE 80, two electrical signals (contact maker/contact breaker) are triggered and two optical signals are formed.

A metering piston subjected to the entry and exit pressure moves against a metering spring according to the pressure differential. Depending on the path a permanent magnet integrated in the metering piston activates a reed contact (electromagnetic switch) and triggers the electrical signal. The electrical and optical indication is effected as a digital signal at the given switching pressure. Versions 50 to 80 of the pollution indicator are fitted with additional LED displays. The optical LED signal becomes visible according to the selected version in the translucent cover plate of the line box on the pollution indicator.

In the pollution indicators

- AE 50 and AE 62, the red LED signal that the filter element needs to be changed
- AE 70 and AE 80, the green LED signal the normal operating state (filter element not yet polluted to an unacceptable level), while the red LED signal that the filter element needs to be changed.

6. Operating instructions:

Normally filters are supplied with mounted clogging indicator. When retrofitting - the filter is to be discharged of the operating pressure.

- dismantling the screw plug out of the bare hole which is foreseen for the clogging indicator
- screw in the clogging indicator into the bare hole (starting torque 125 Nm)

It is necessary to make sure the availability and the right positioning of sealing parts

- O-ring 22 x 2 and
- O-ring 14 x 2

as well as a dirt-free mounting. The electrical contacts are to be connected according to the graphical symbol shown on the type plate of the clogging indicator.

7. Maintenance:

The device is maintenance-free, however, note that no cleaning fluids and solvents get on the transparent cap of the optical indicator.